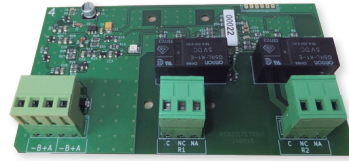




# MDA2YLT

## 2-relay output module

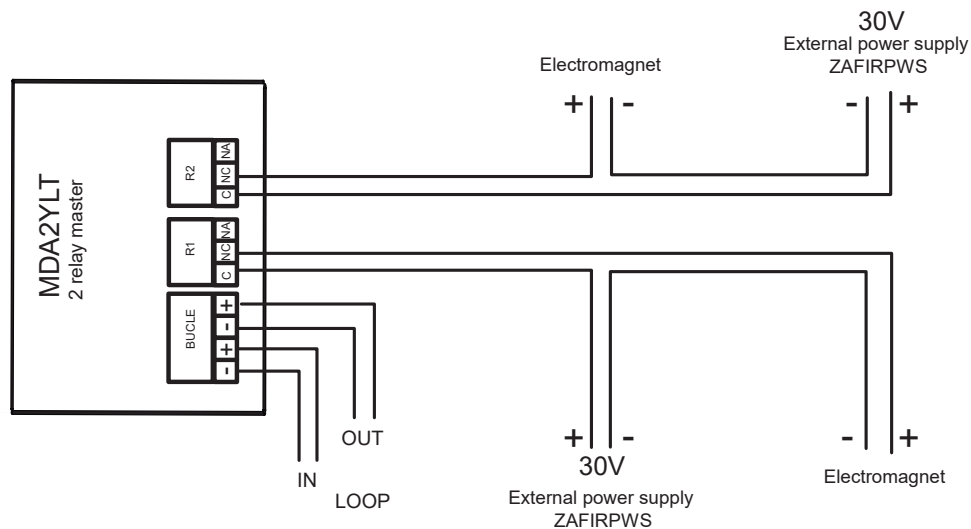


Microprocessed and algorithmic-addressable module (with short-circuit insulator) which is installed as one more element in the loop.

The modules are powered by the loop connection, requiring no outside power. The blinking red transparent LED shows there is communication with the control panel. The fixed lit red transparent LED indicates that one or both relays have been triggered.

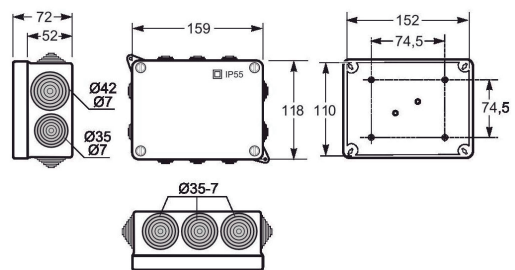
To order, rectangular boxes made of heat-resistant ABS are available.

This is a module with two relay outputs that are separately activated (two functions), independent timing, as well as a combination of sensors that activate them. The R1 and R2 outputs are voltage free C/ NC/ NA. Using this module, we can control fire doors and gates.



### TECHNICAL FEATURES

|                         |                        |
|-------------------------|------------------------|
| Power supply            | 24 - 35V with polarity |
| Standby Current         | 1 mA                   |
| Activated consumption   | 4 mA                   |
| Loop isolator           | Yes                    |
| Maximum resistive load  | 5A / 250 VAC           |
| Activation indicator    | red led (fixed)        |
| Communication indicator | red led (blinking)     |
| Humidity                | 20 - 95% RH            |
| Temperature             | -10°C +50°C            |
| Dimensions              | 159 x 118 x 72 mm      |
| IP protection           | IP 55                  |



Assembly box dimensions