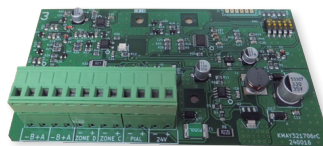


# KMAY32

**Module to connect  
32 detectors / 10 detectors**



Microprocessed and algorithmic-addressable module (with short-circuit insulator) which is installed as one more element in the loop.

This module allows the connection of conventional detectors and/or alarm call points in an algorithmic-addressable fire detection system, performing the interface function between an algorithmic-addressable control panel and a conventional system. Up to a maximum of 10 conventional alarm call points can be installed on the strip of "Area C". The "D Area" strip allows a maximum of 32 temperature detectors (A30XT, A30XV) or 32 components between smoke detectors (A30XH, A30XHS) and conventional alarm call points. Both strips supervise the line using a 4K7 end-of-line resistor. It thus indicates the status of the open line, crossed line, detector alarm or alarm call point alarm.

It has a microswitch for setting the area thresholds;

- Open line threshold (pin microswitch 1-2).
- Detector alarm triggered threshold (pin microswitch 3-4).
- Alarm call point triggered threshold (pin microswitch 5).

The blinking of the red transparent LED indicates communication with the control panel, and if it stays on in indicates the status of the alarm of a detector or of a alarm call point connected to that module.

This module has an output for the activation of a remote pilot, which is activated when it is in alarm state.

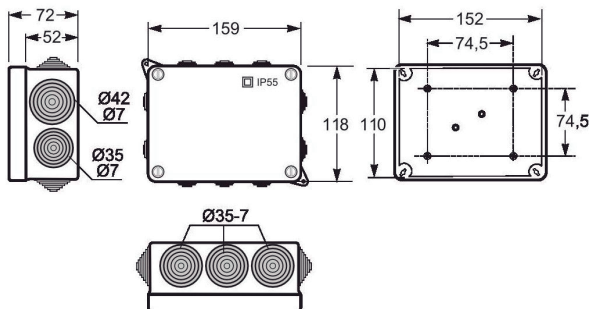
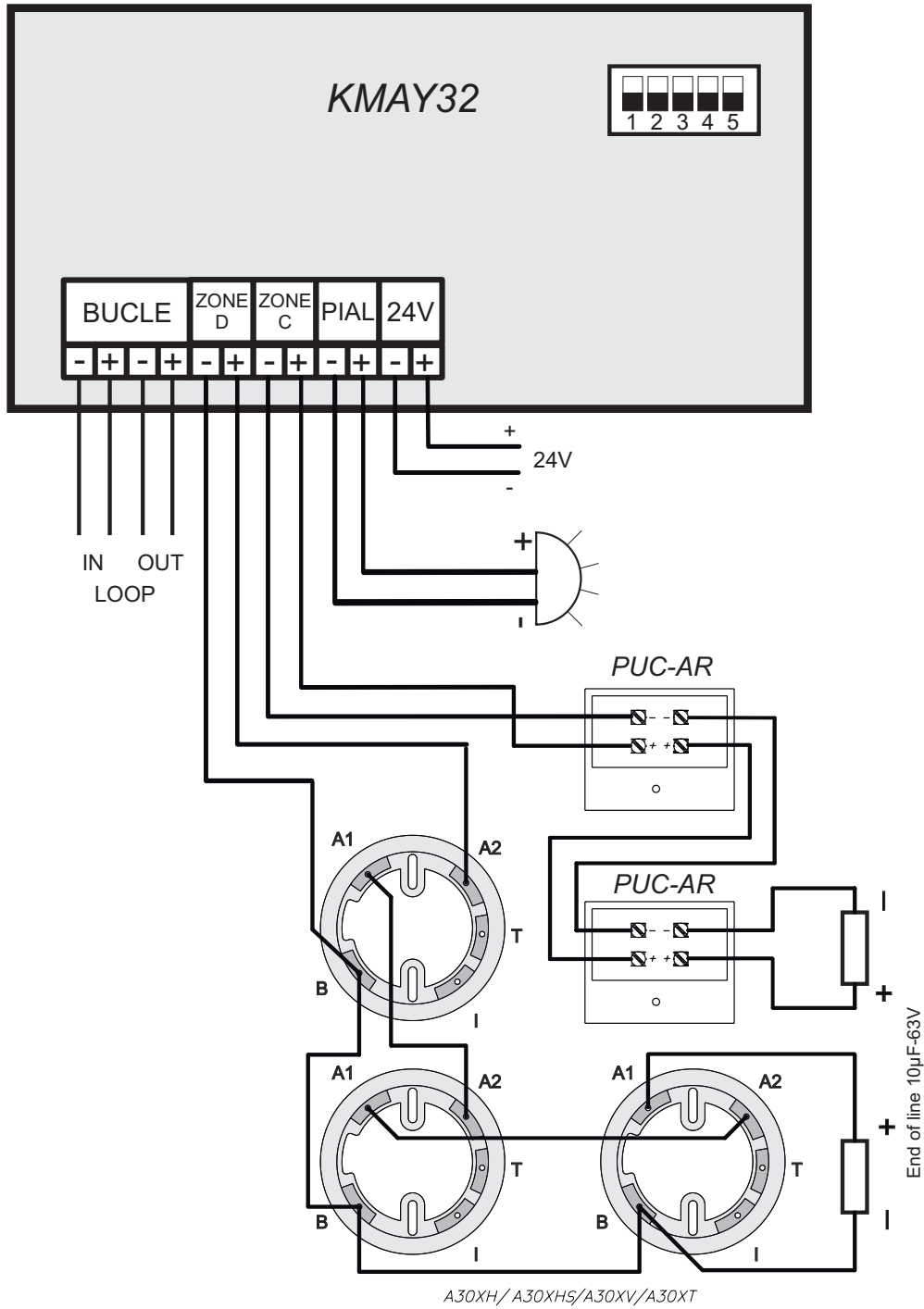
This module is powered by the loop connection and requires a 24V auxiliary power supply to power the areas, said voltage is supervised by the microcontroller.

Rectangular boxes made of heat-resistant ABS are available on order.

**NEW**

## TECHNICAL FEATURES

Loop power supply	24 - 35V with polarity
Auxiliary 24V power supply	20 - 30V
Standby consumption	1,5 mA
Shor-circuit isolator	Yes
Area voltage	22V with polarity
Remote indicator output	Yes
Activation indicator	red led (fixed)
Communication indicator	red led (blinking)
Humidity	20 - 95% RH
Temperature	-10°C +50°C
Dimensions	159 x 118 x 72 mm
IP protection	IP 55



Assembly box dimensions