



Extinction control panel accessories

EXTINCTION SYSTEMS



Sign to be directly connected to the output of the control panels or relay modules. With indication adhesive.

LLHCO LIGHT SIGN

Operating voltage	12-30 Vdc
Consumption	80mA at 30Vdc
Power	80dB at 1m
IP protection	IP40
Standard	EN 60598, EN 60598-2-1, EN 61547, EN 55015
Temperature	0 to 40°C
Humidity	95% RH
Size	262x100x51 mm
Weight	340gr
Jumper	Fixed / flashing lighting Active / no active buzzer



Lock and trigger manual call point of extinguishing systems by gas agents.

Immediate visual recognition of manual activation by the permanent activation of the LED, and the trigger of the yellow tab on the lower side of the activation face.

Manual call point, easily resettable by a yellow switch in the front face.

PUC-PR model: manual call point for STOP EXTINGUISHING (blue color) to use with conventional CLVR02EXT control panels.

PUC-DR model: manual call point for TRIGGER EXTINGUISHING (yellow color) to use with conventional CLVR02EXT control panels.

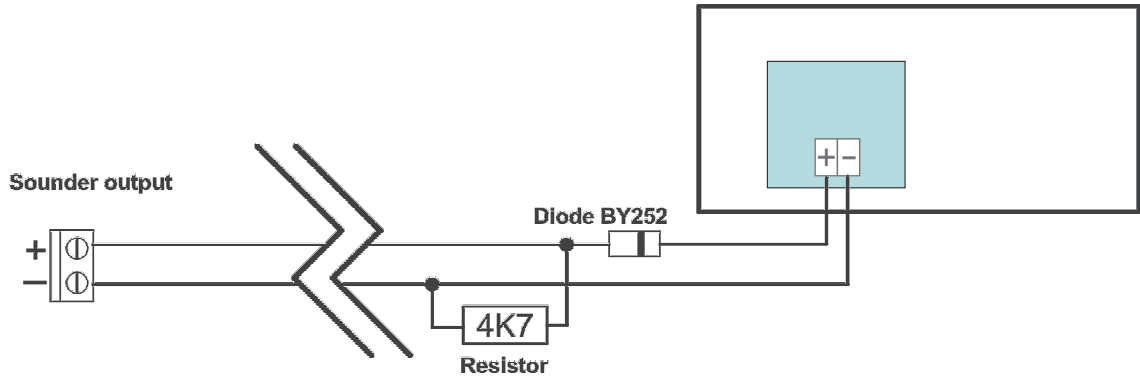


PUC-PR and PUC-DR

Supply	20-24V with polarity
Consumption in standby	0 mA
Consumption activated	35 mA
Activation indicator	Red led
Remote indicator output	No
Humidity	20-95% RH
Temperature	-10 a +50°C
IP protection	IP50



LLH LIGHT SIGN



STOP AND TRIGGERING MANUAL CALL POINT

